

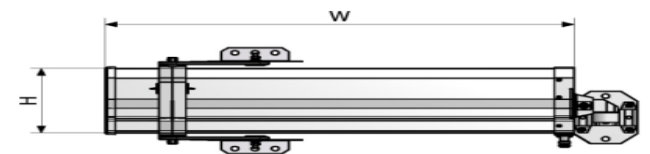
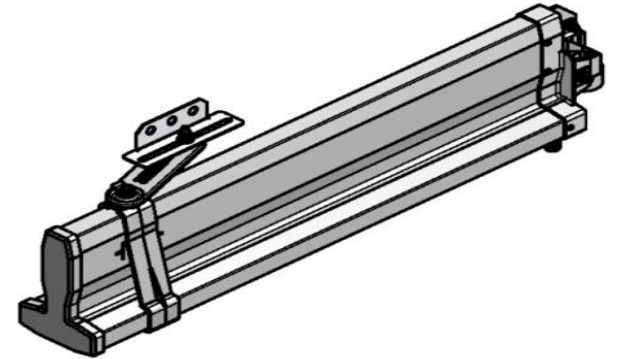
# Multi-Band MIMO Yagi Antenna

819 ~ 960, 1710~2690, 3350~3900MHz / 8dBi, 14dBi, 14dBi



## Yagi-14dBi\_MIMO\_3.5Ghz

i. Electrical Specification				
Frequency Range (MHz)		819 ~ 960	1710 ~ 2690	3350~3900
Polarization		V/H	V/H	V/H
Band Width		141 MHz	980 MHz	550 MHz
Gain		≥ 8dBi	≥ 14dBi	≥ 14dBi
Beam width	Horizontal	40°~120°	20°~60°	20°~60°
	Vertical	30°~90°	20°~60°	20°~60°
F-B ratio	Horizontal @180 ± 30°	10dB	15dB	15dB
	Vertical @180 ± 30°	10dB	15dB	15dB
Isolation		≥ 15dB	≥ 15dB	≥ 15dB
VSWR		1 : 1.6	1 : 1.6	1 : 1.6
Impedance		50 Ω		
Maximum input power		100 W	100 W	100 W



ii. Mechanical Specification	
Radom Dimension ( WxDxH )	1300 x 100 x 160 mm (LGU+규격: 1300 x 200 X 200 mm)
Weight (without clamp)	≤ 5Kg
Connector Type	N-Female x 2
Withstand Wind Pressure	30 m/s
Radome Material	ASA

## iii. Radiation Pattern

